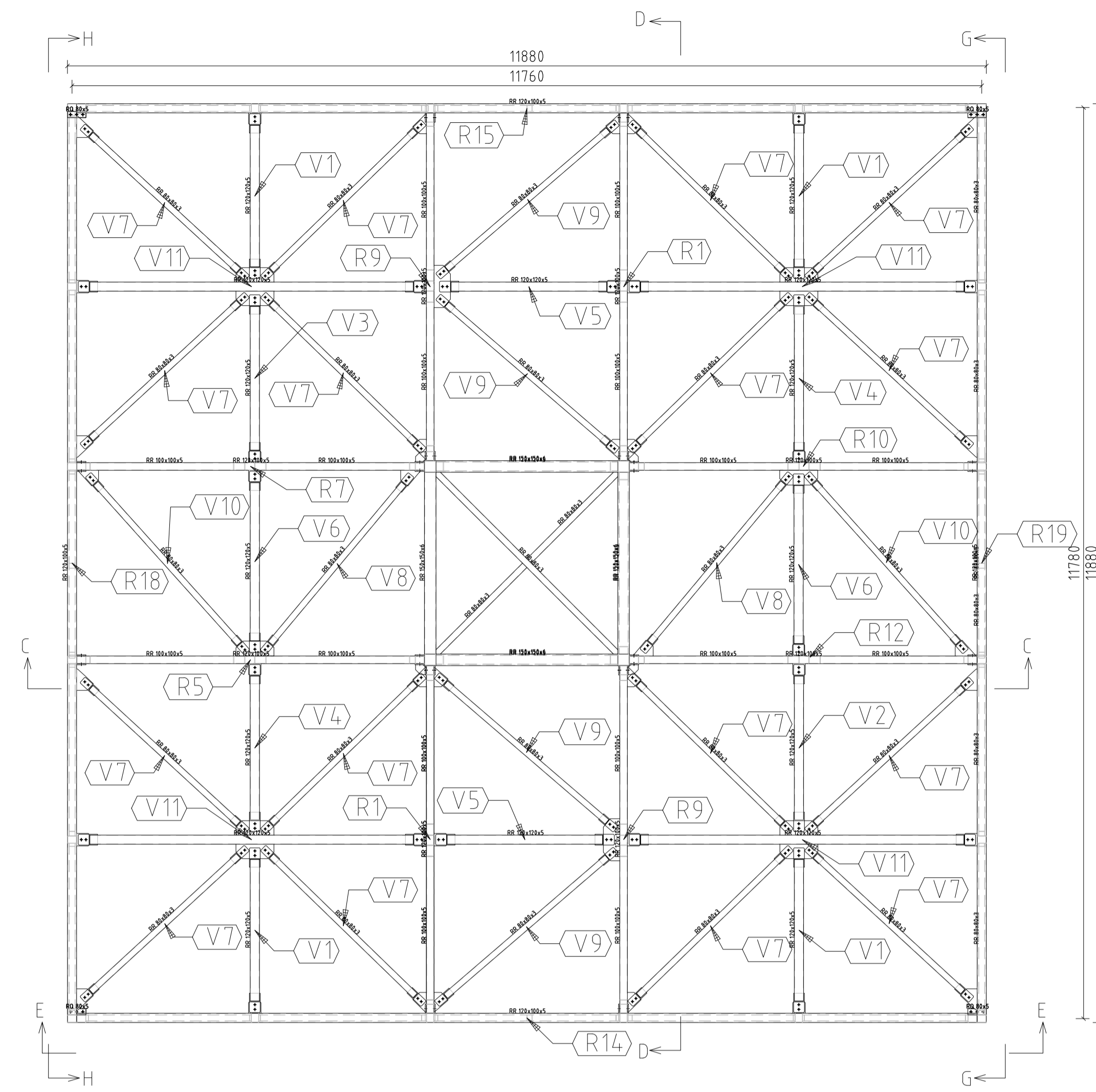
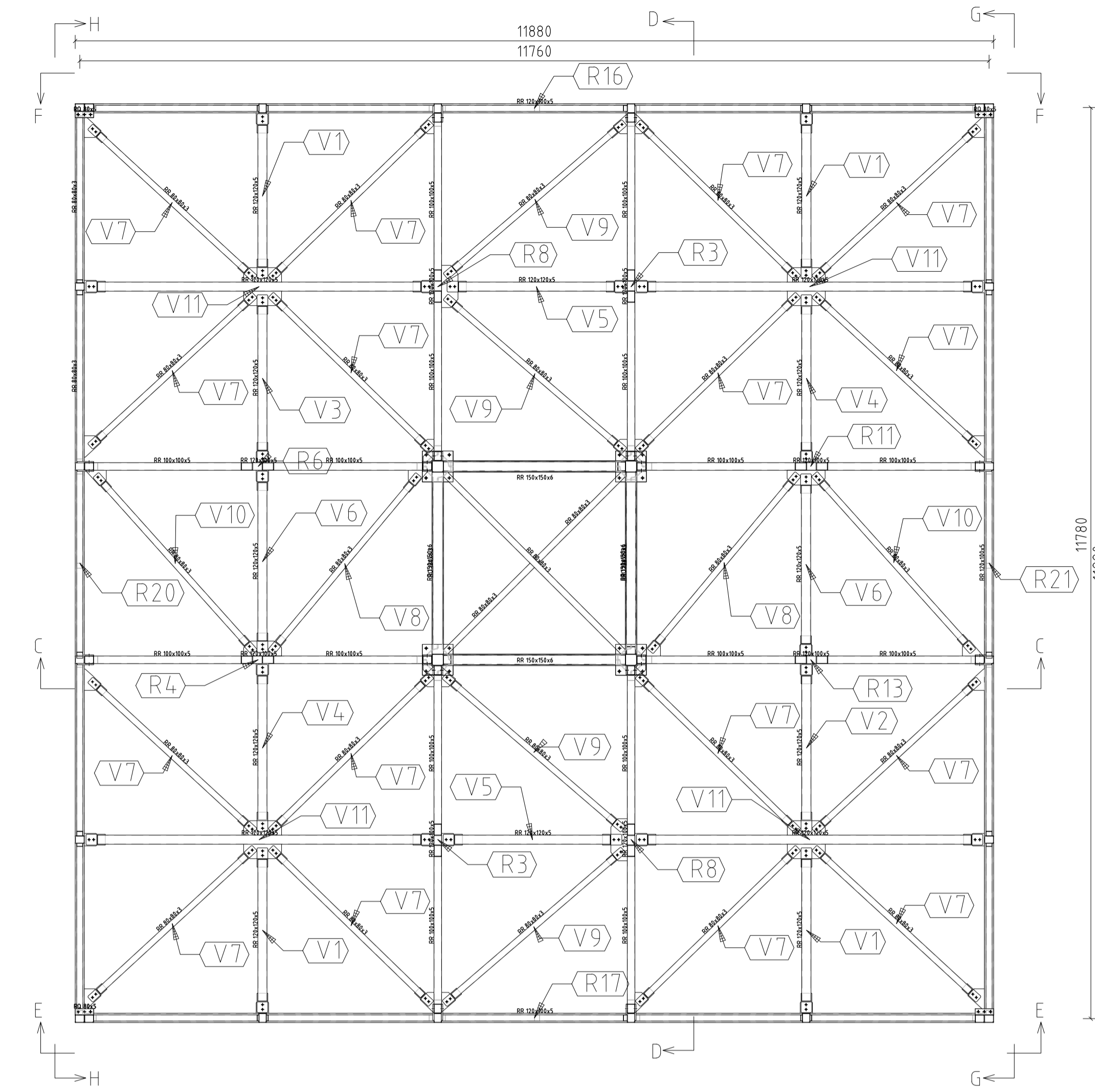


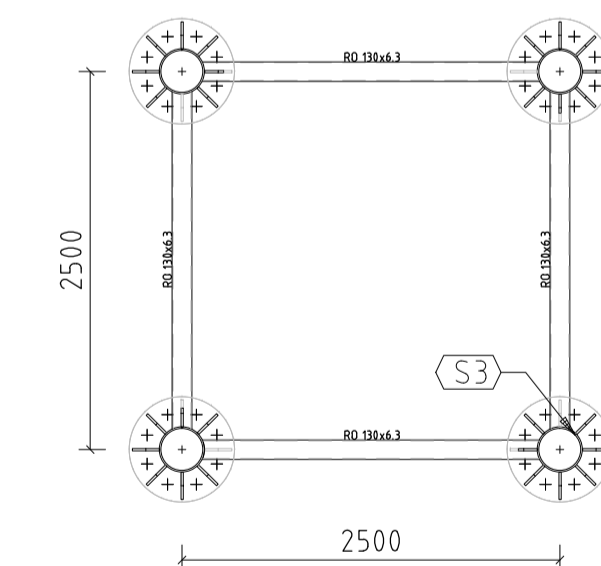
IZOMETRIJA (Sc1:50)



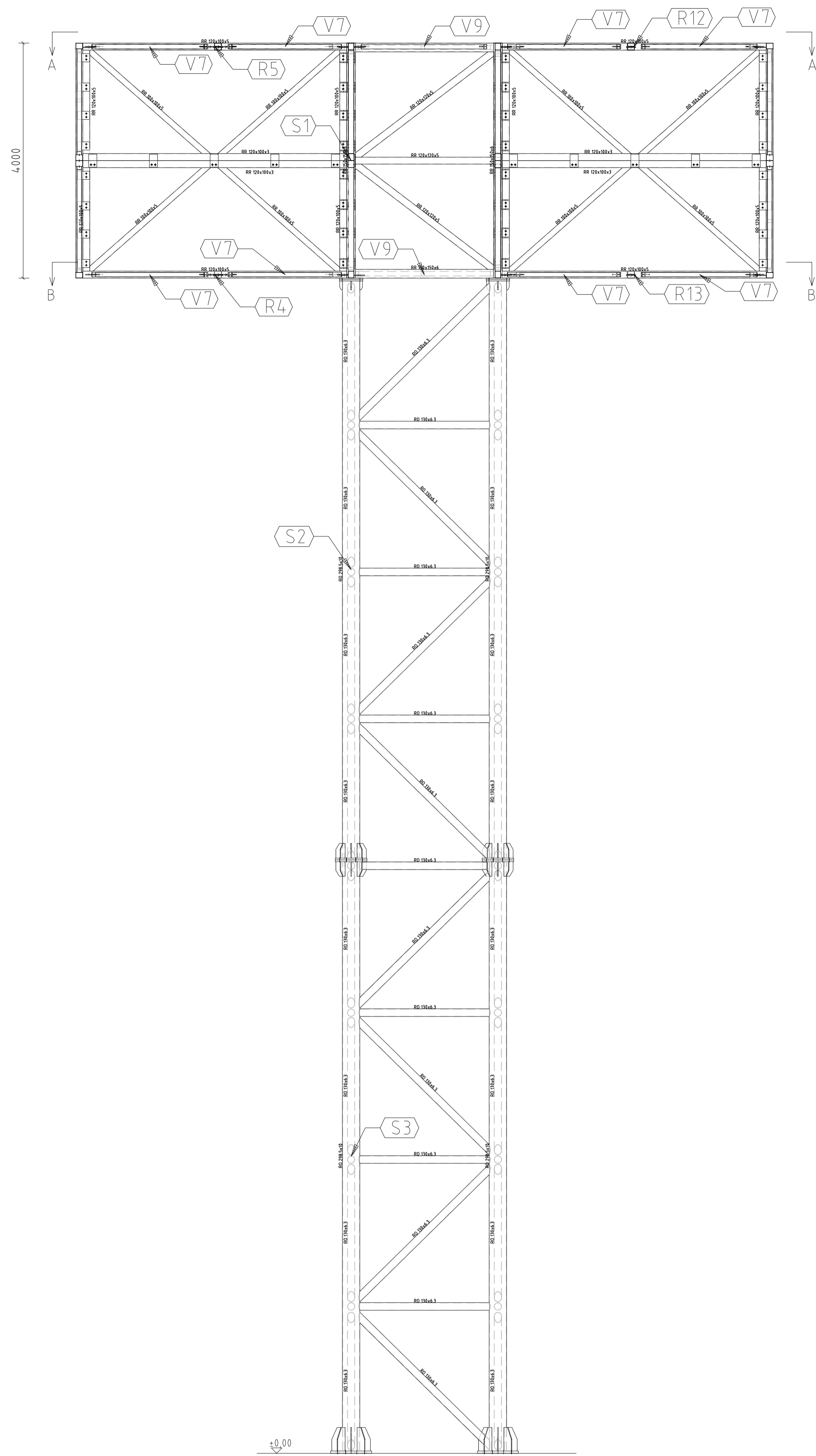
POGLED "A" (Sc1:50)



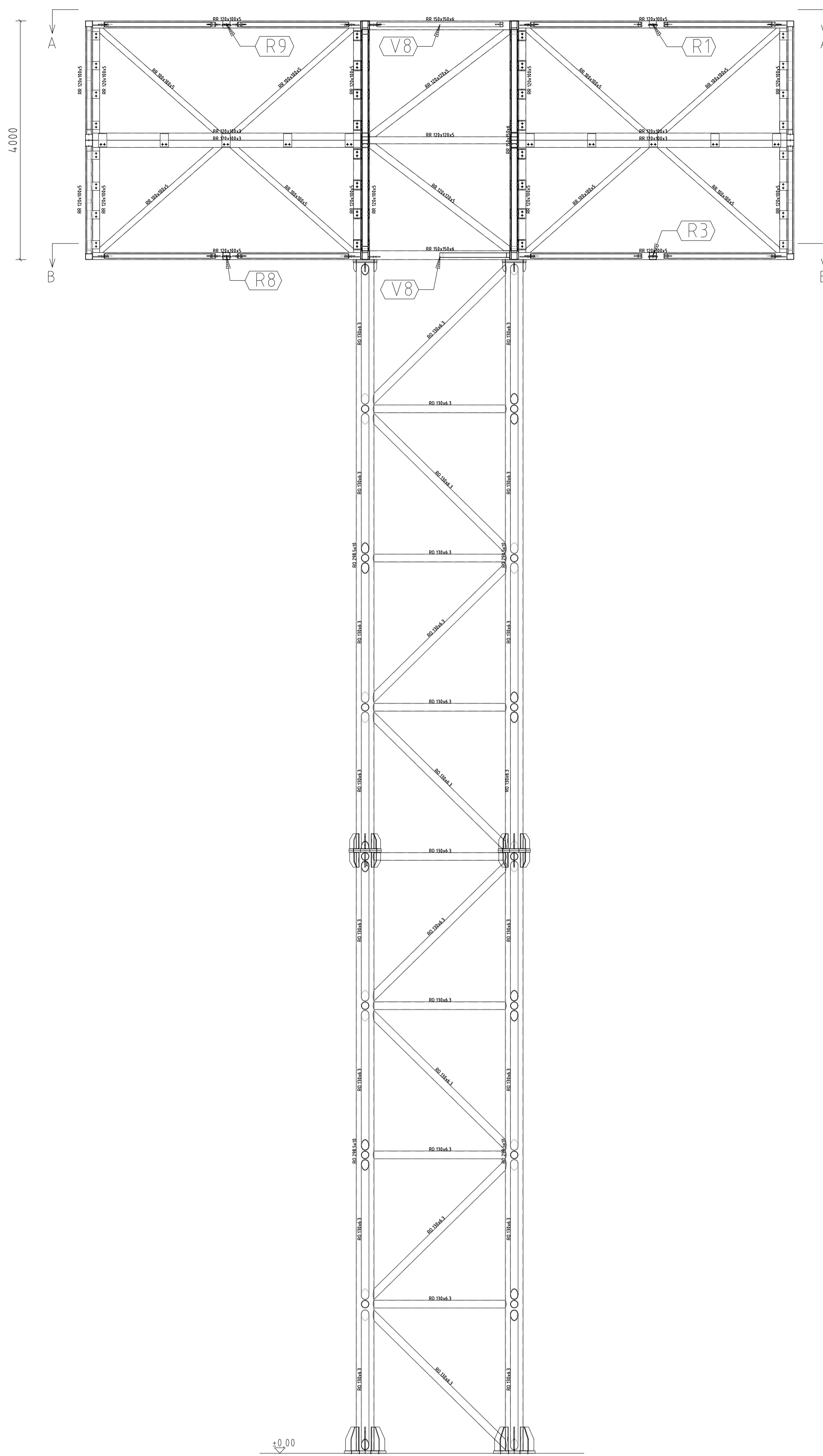
POGLED "B" (Sc1:50)



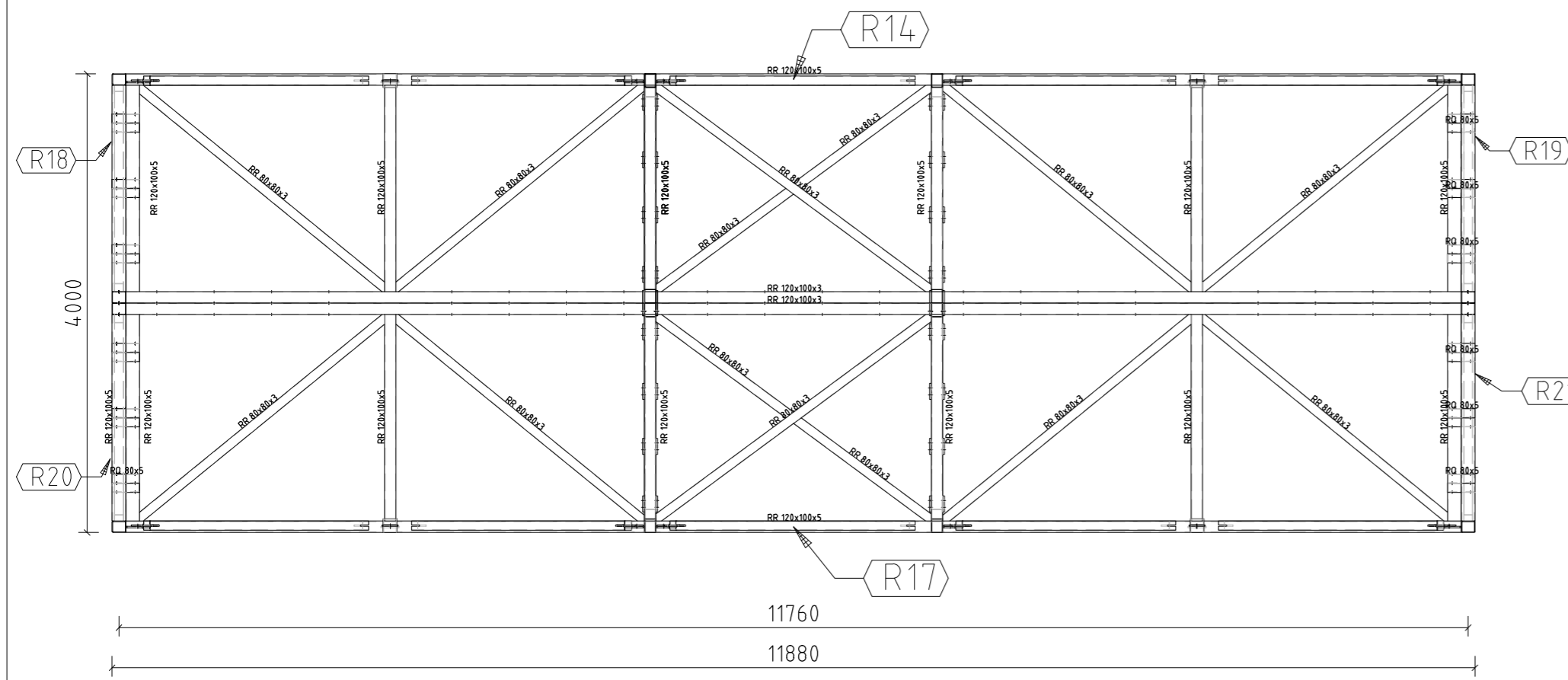
TLOCRT ANKERA (Sc1:50)



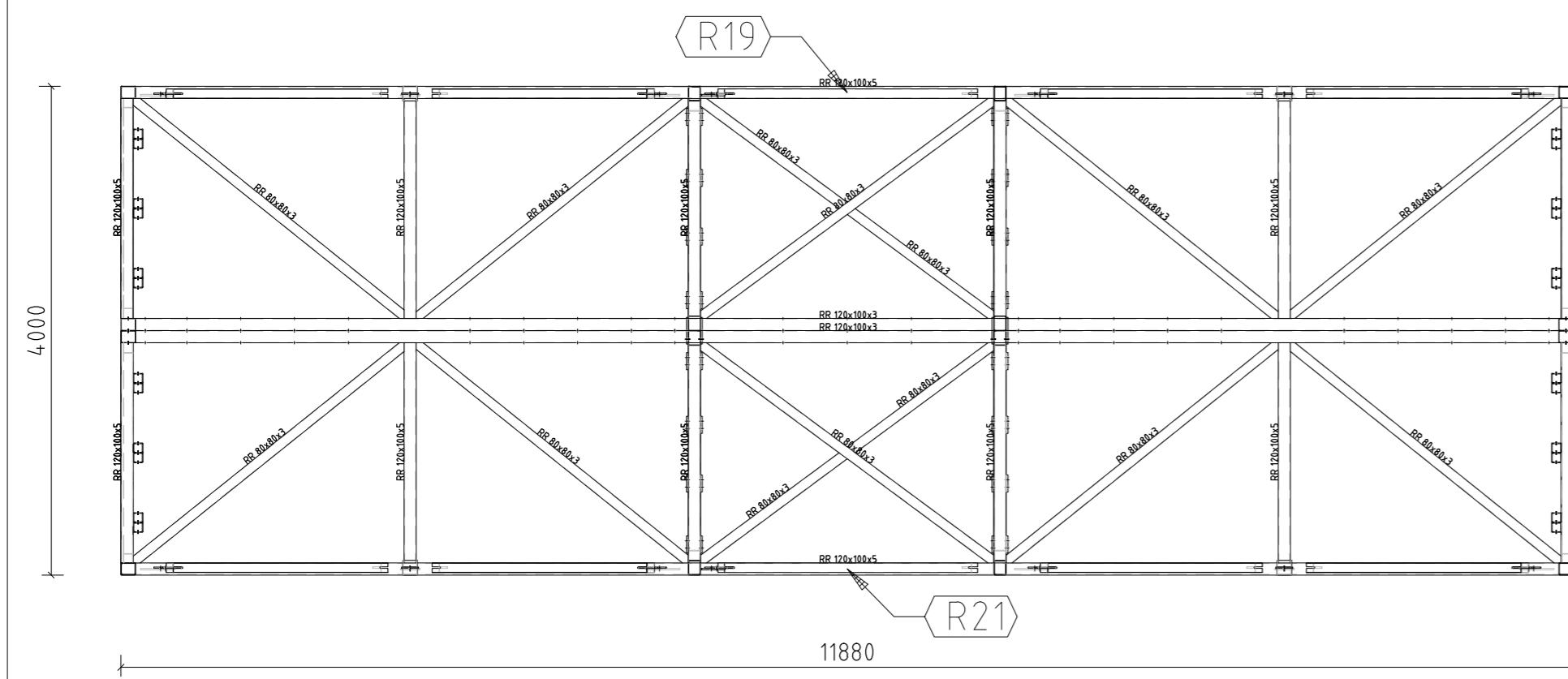
POGLED "C" (Sc1:50)



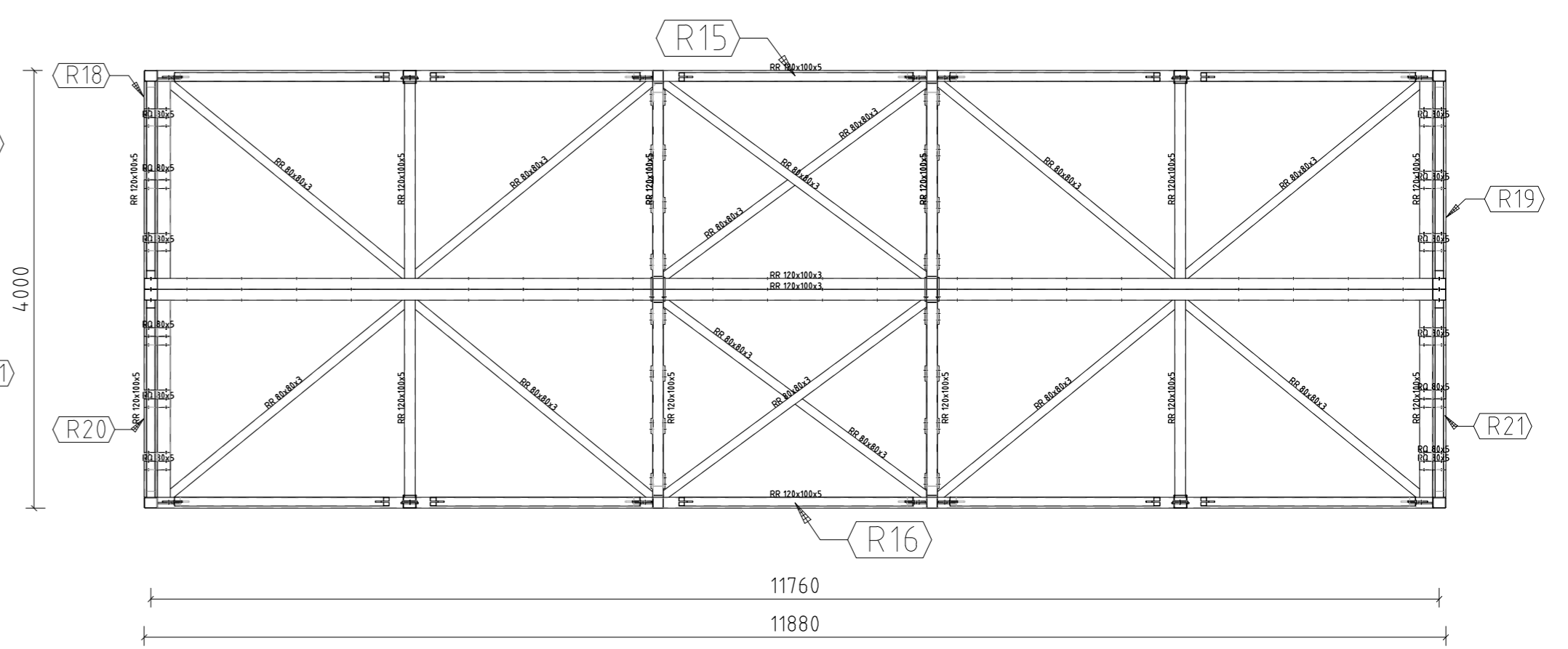
POGLED "D" (Sc1:50)



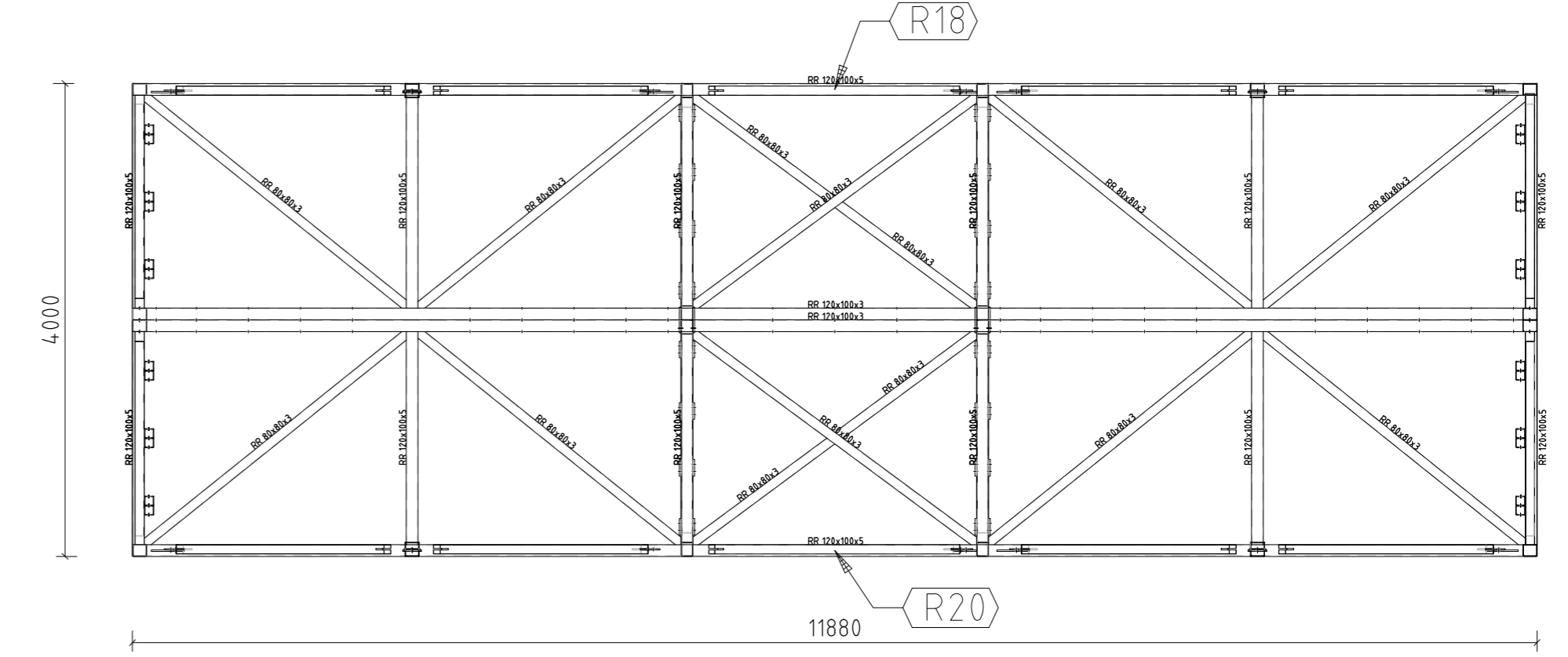
POGLED "E" (Sc1:50)



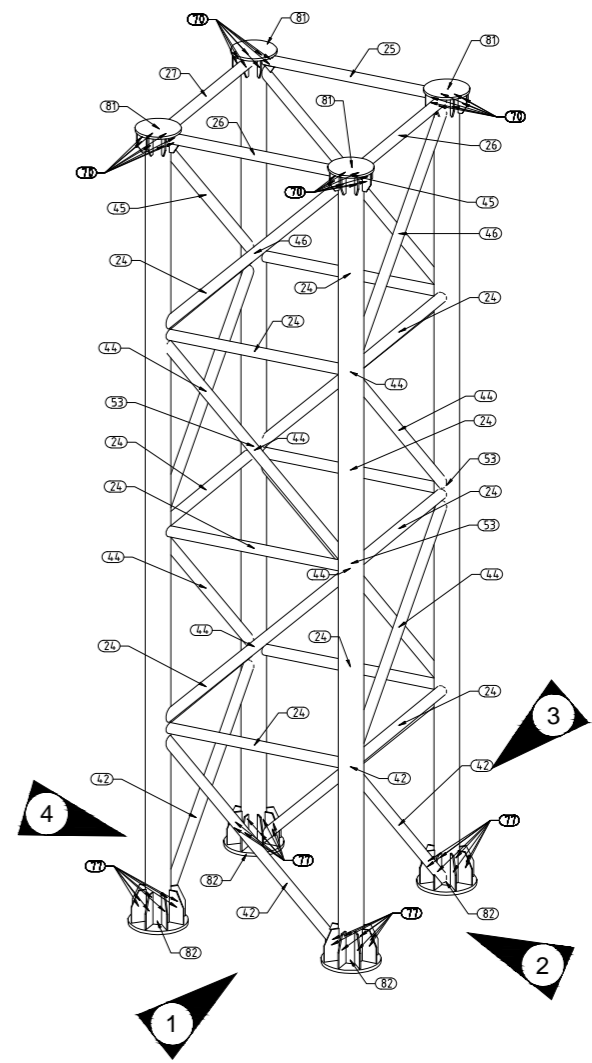
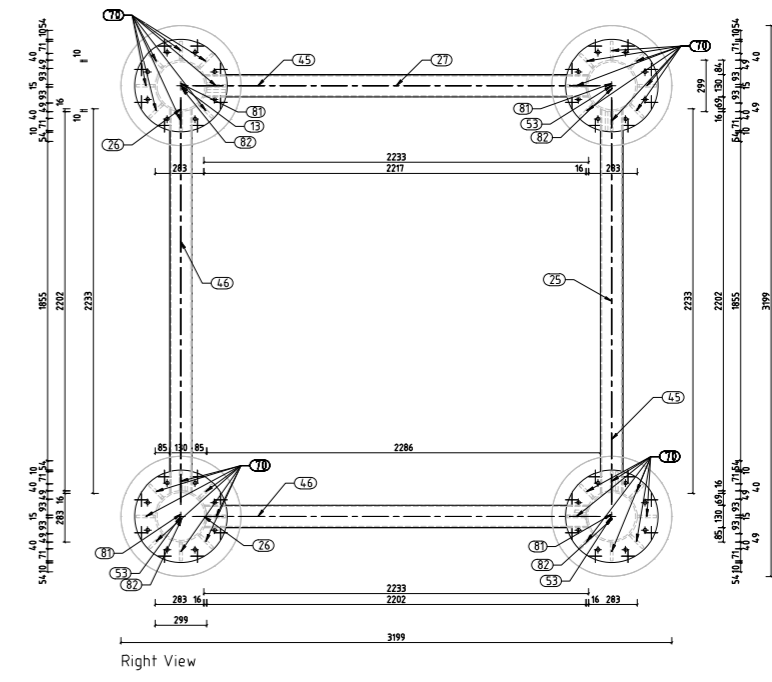
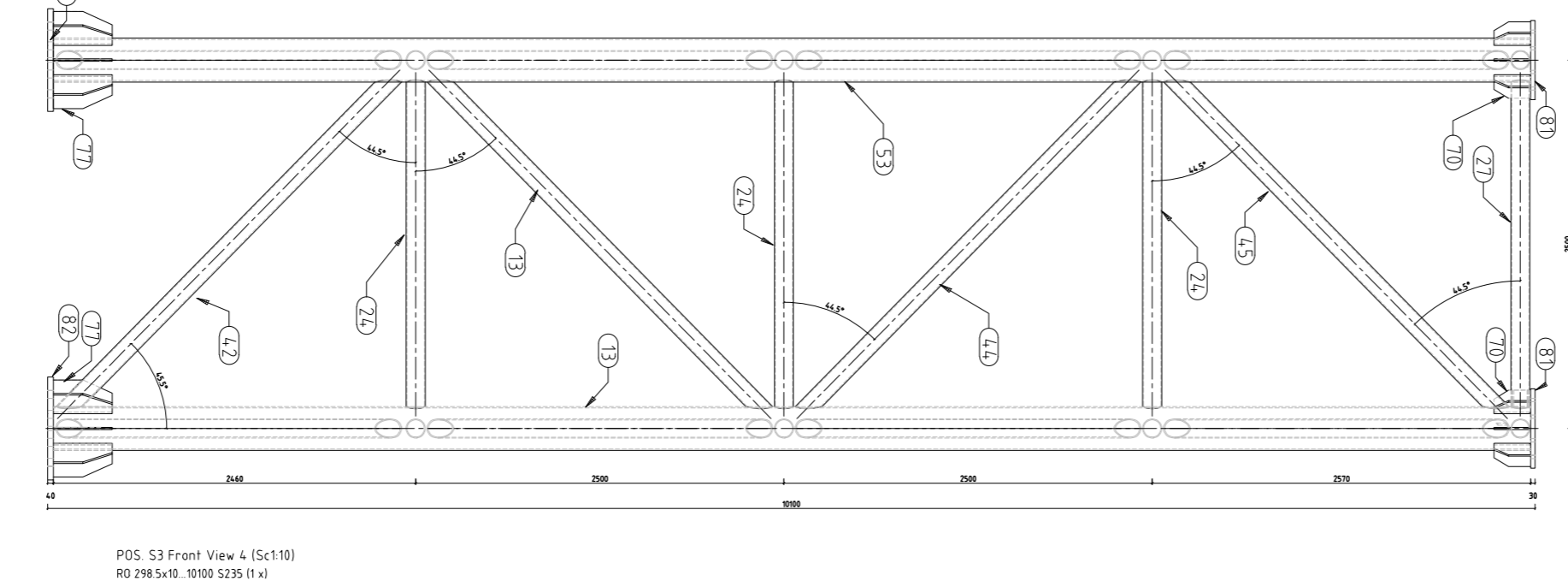
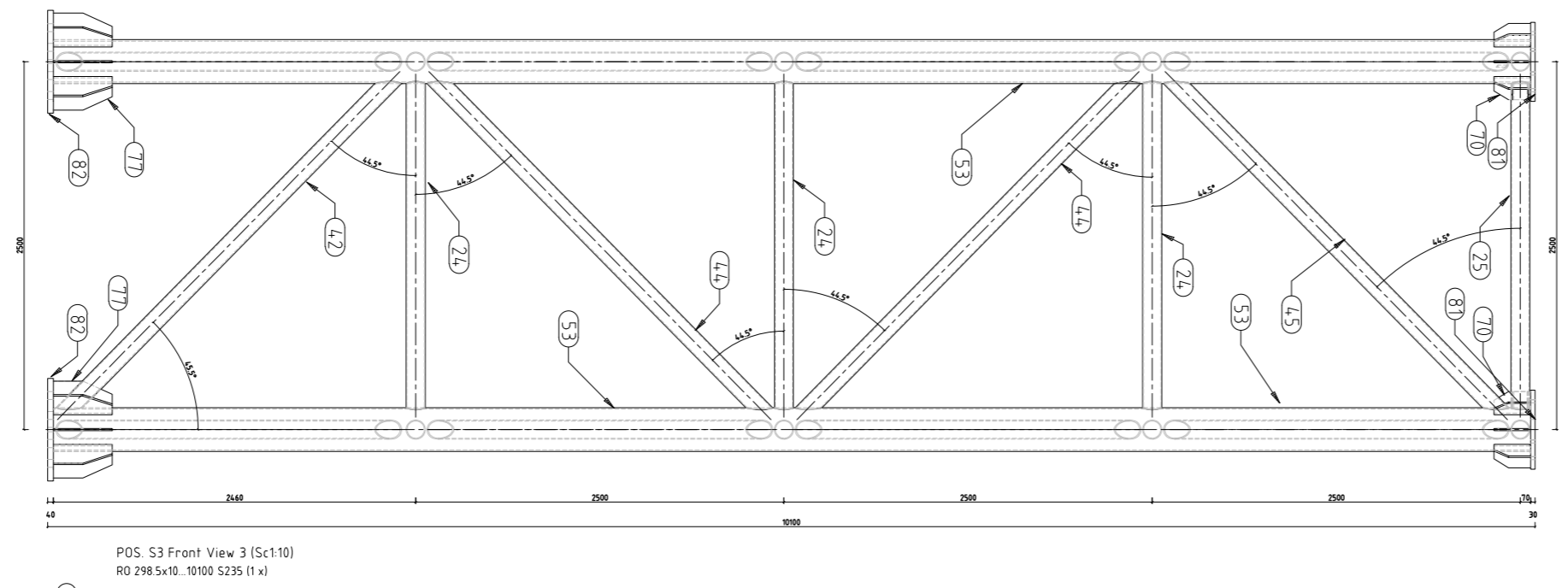
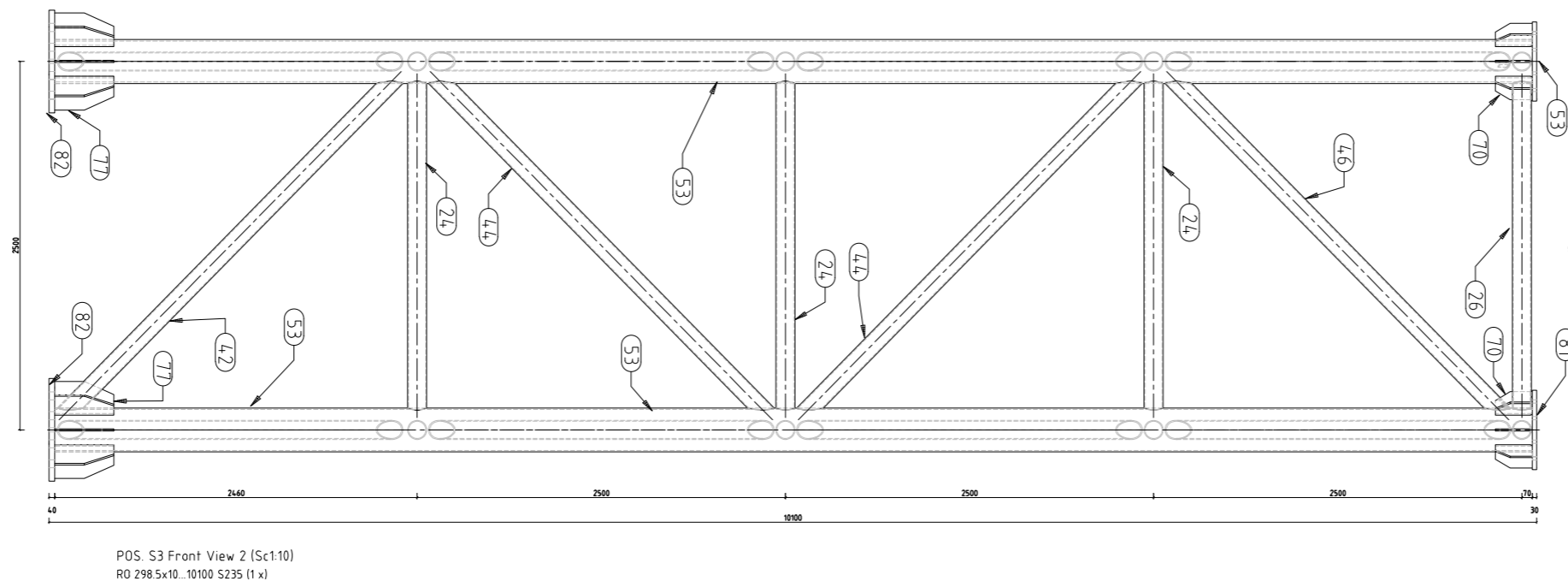
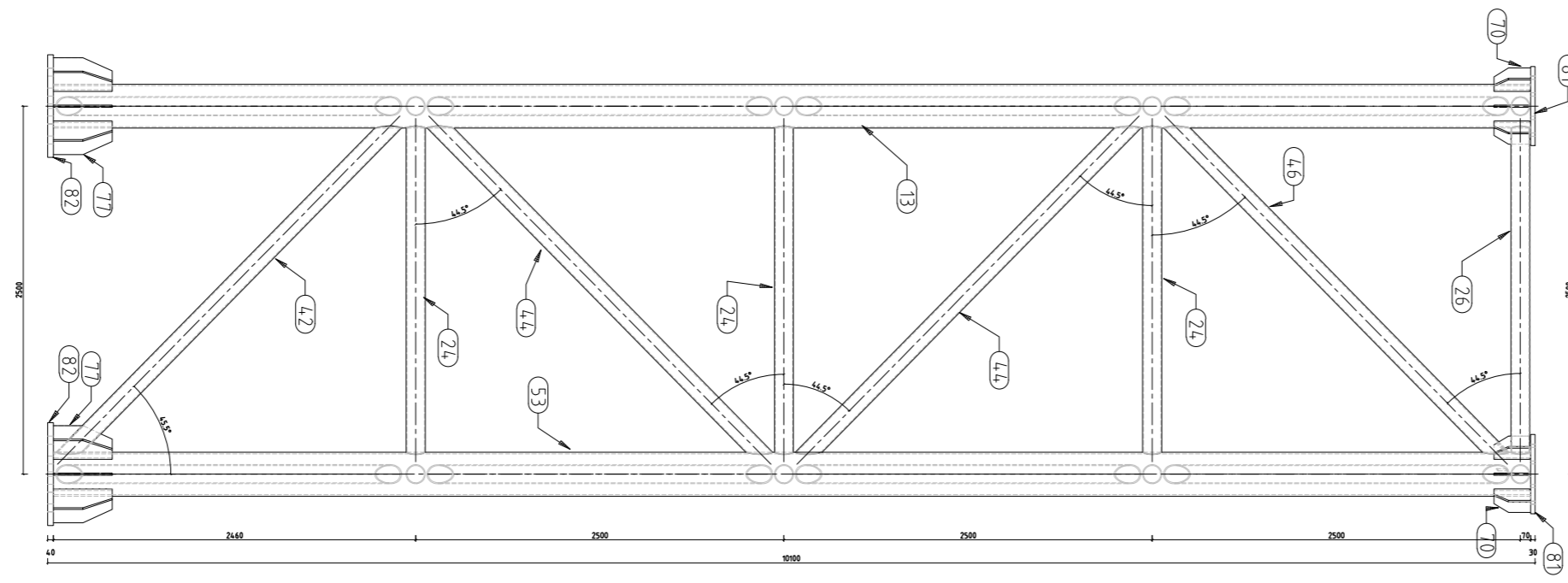
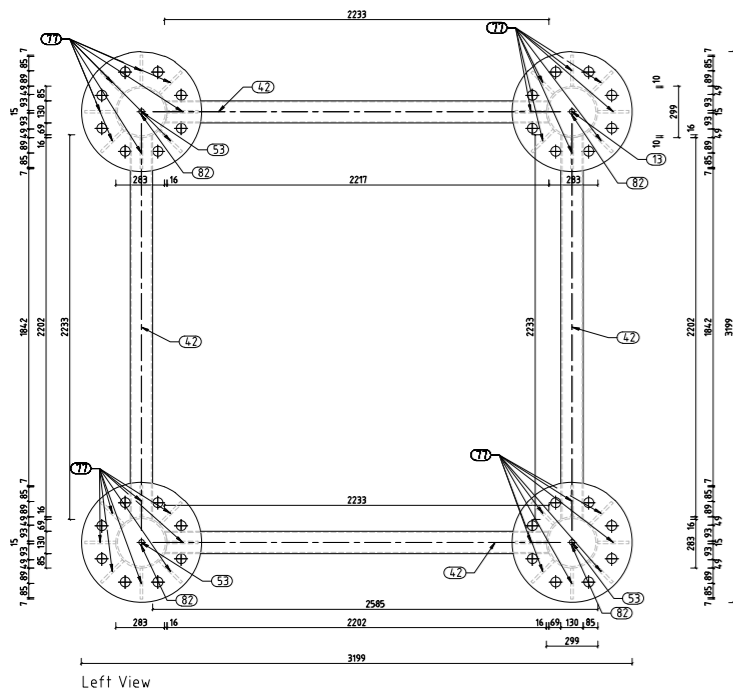
POGLED "G" (Sc1:50)



POGLED "F" (Sc1:50)

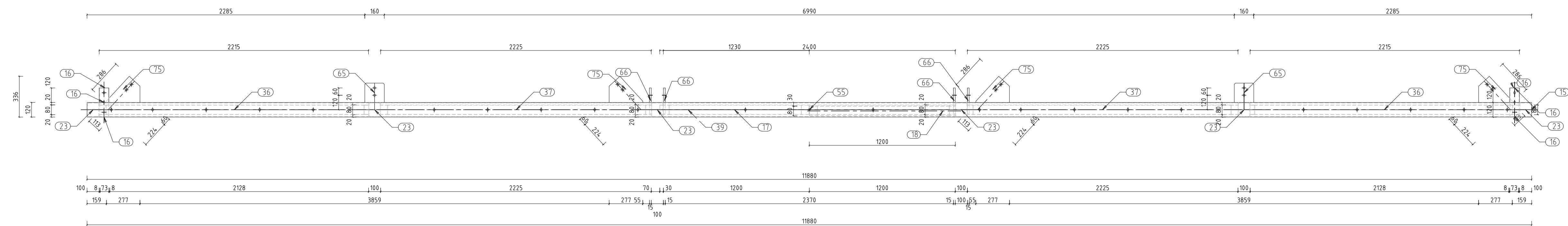


POGLED "H" (Sc1:50)

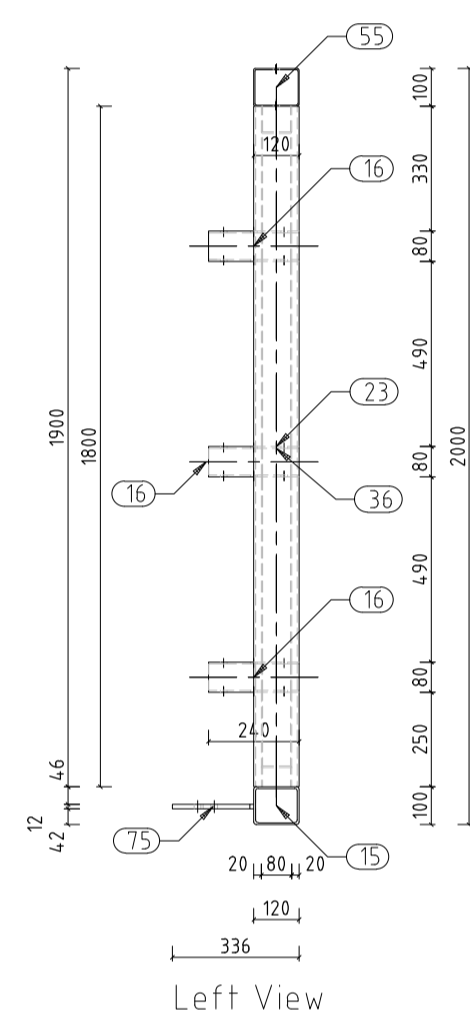


VAROVI AKO NISU POSEBNO NAZNAČENI:

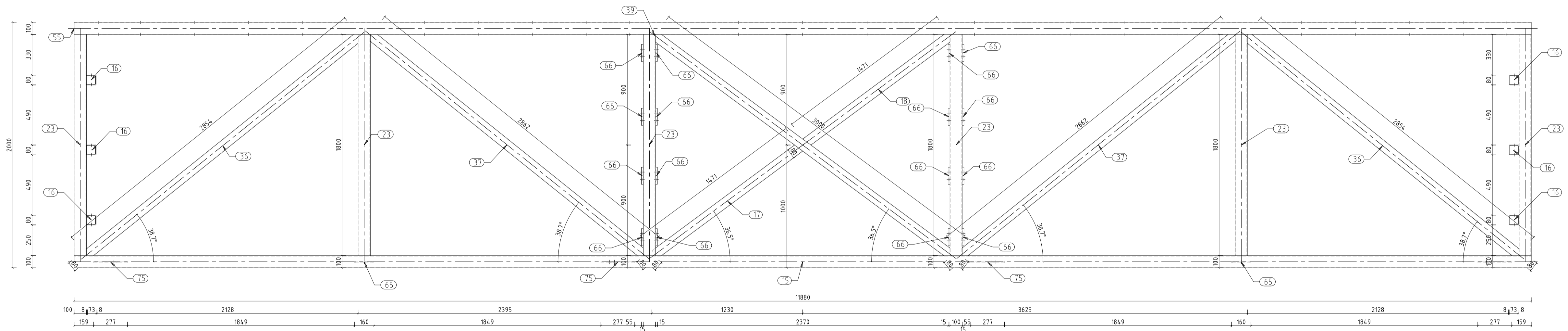
<p>buha varovi - a=31 mm</p>	
<p>varovi sa držačem - buha varovi</p>	
<p>varovi sa držačem - buha varovi</p>	



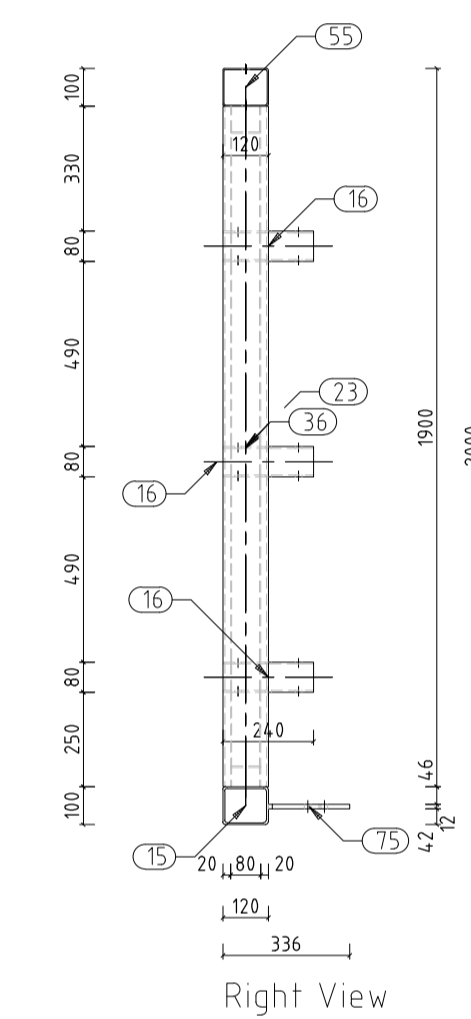
Top View



Left View

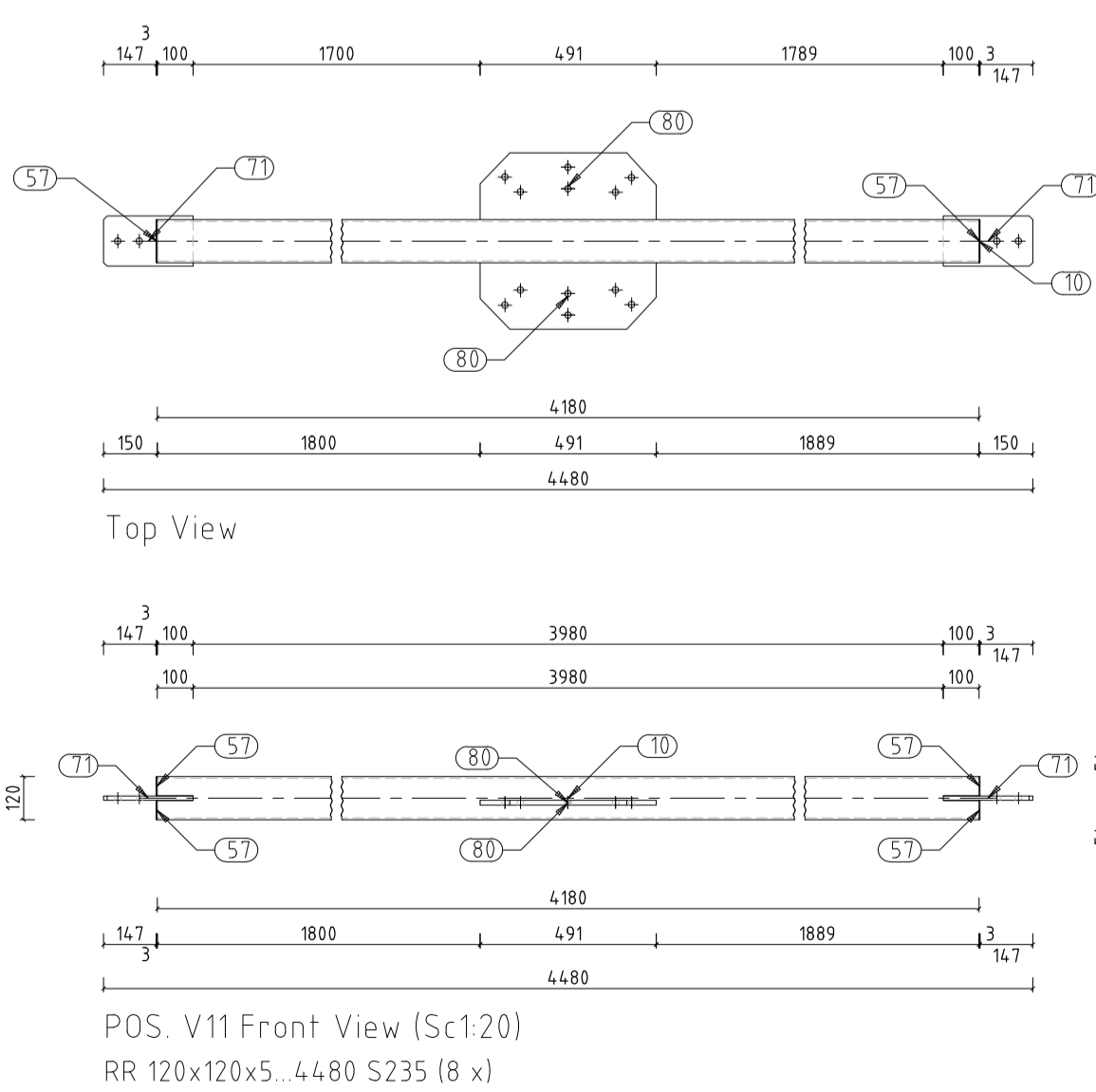
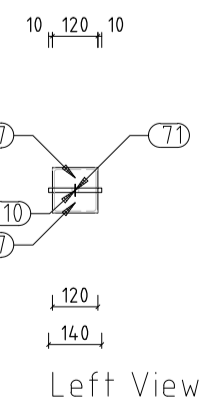
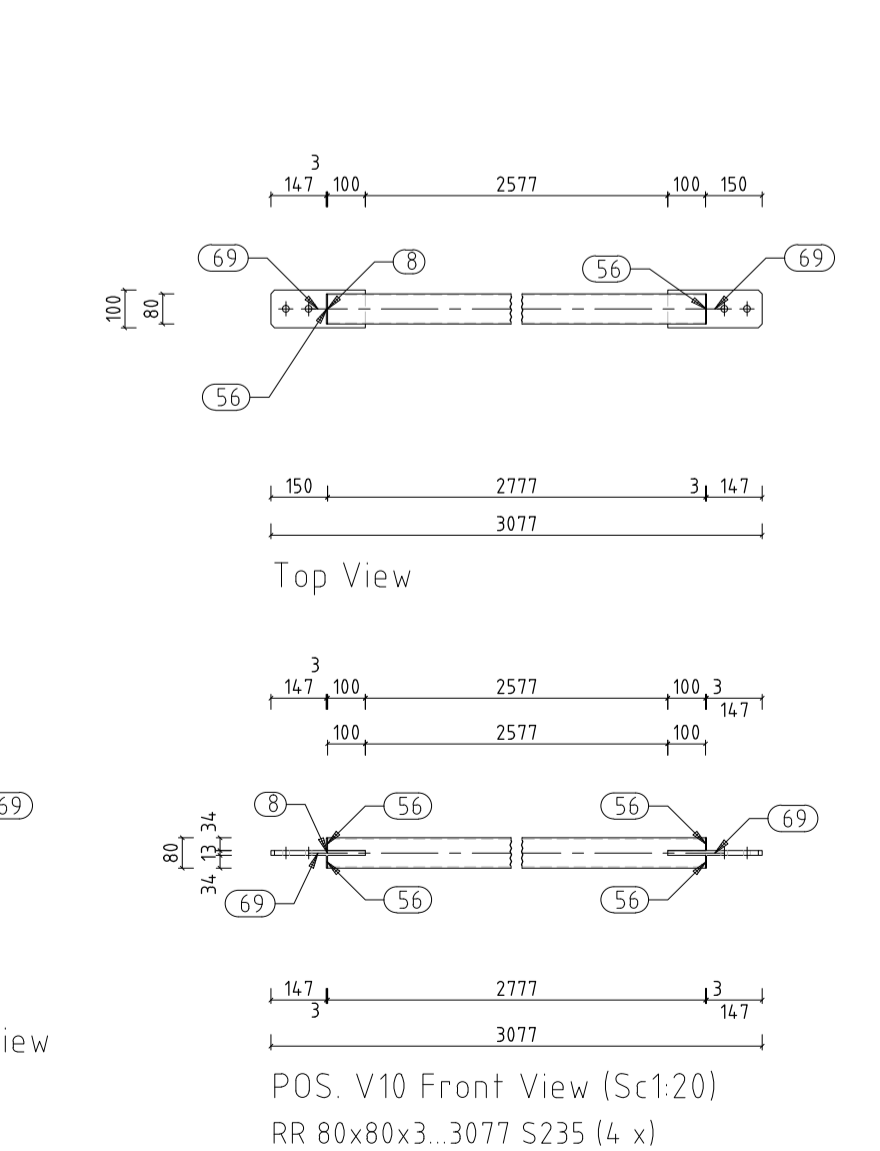
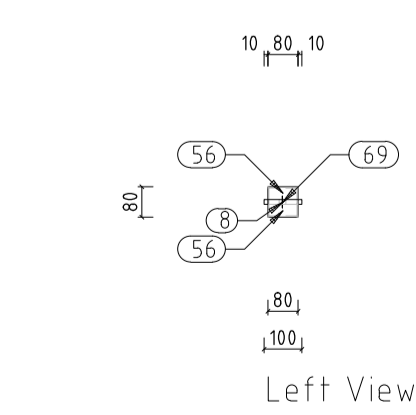
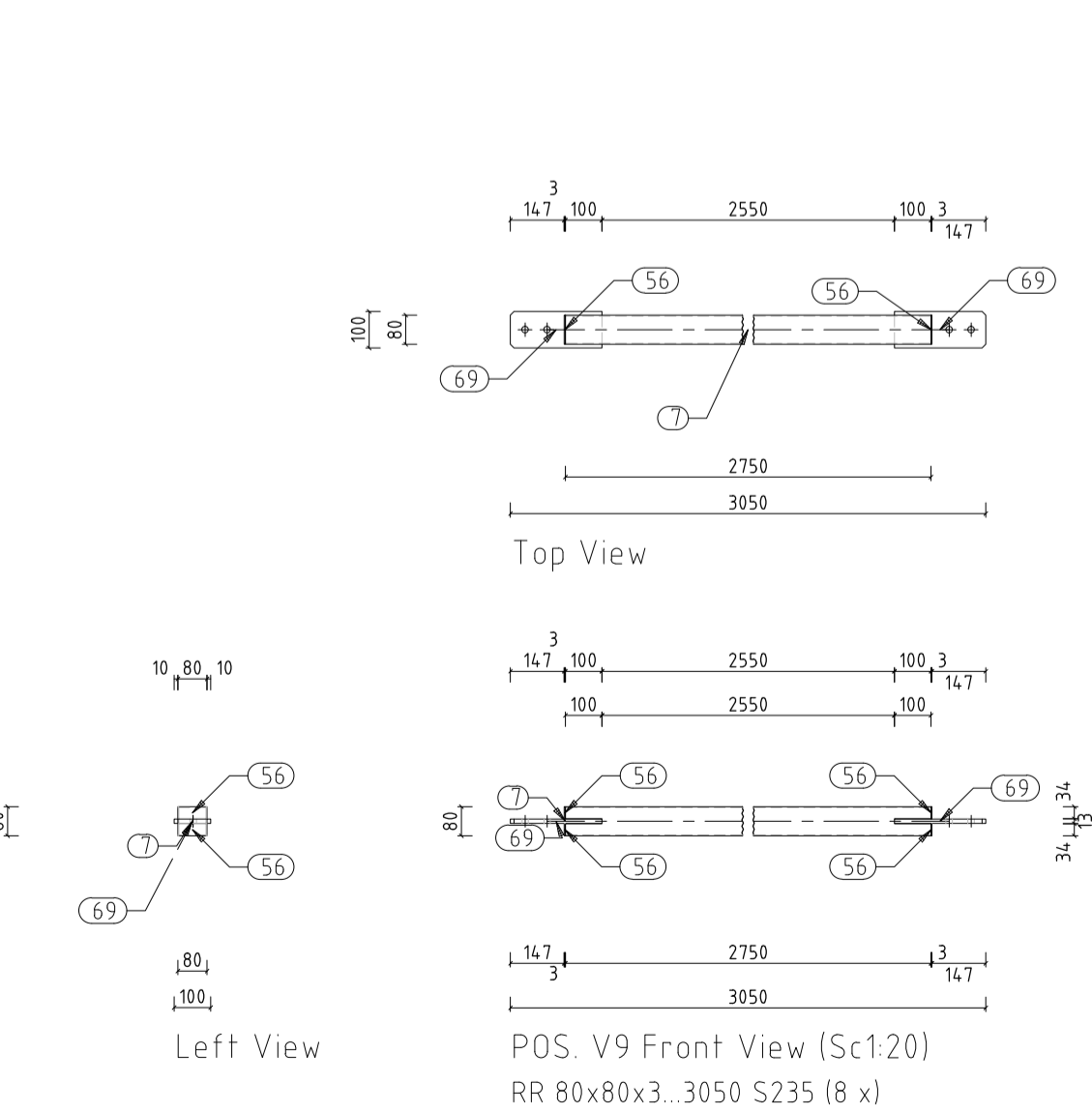
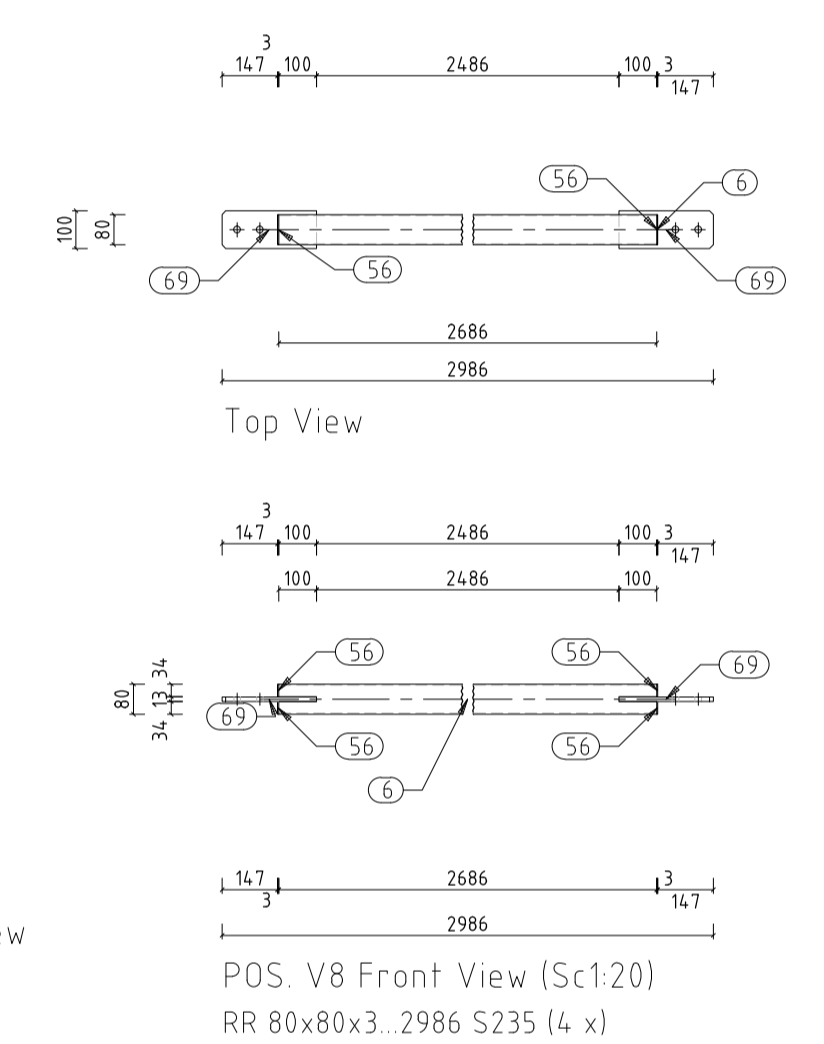
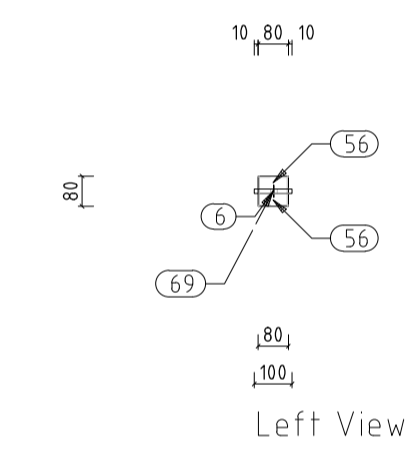
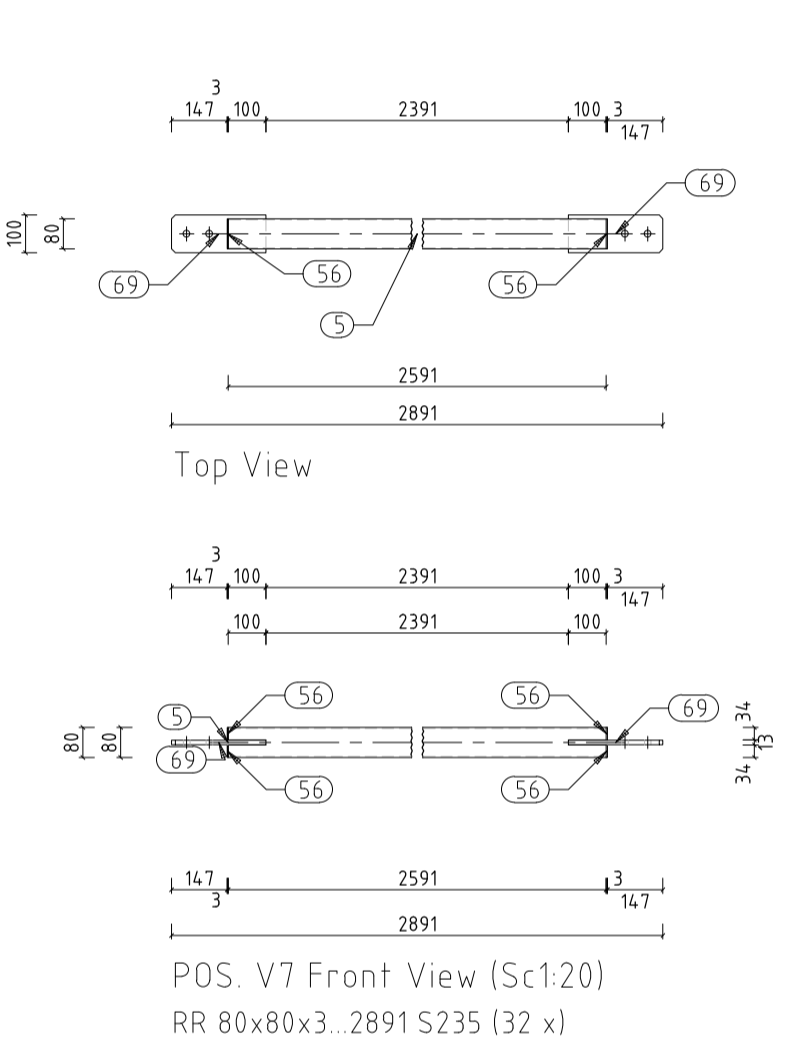
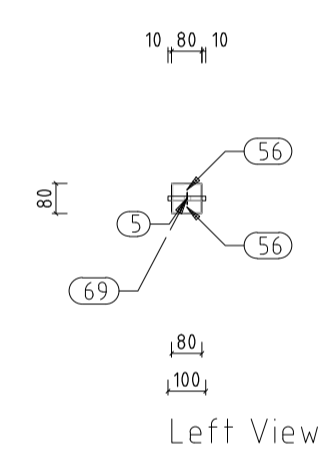
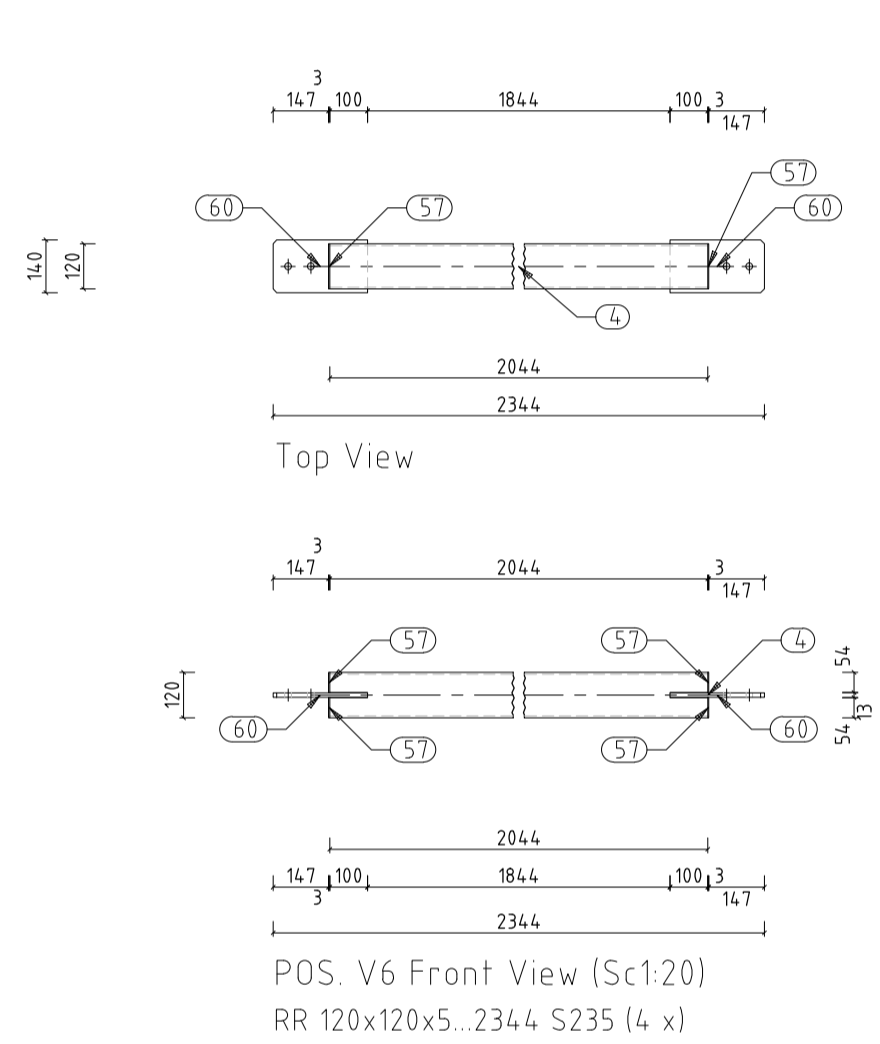
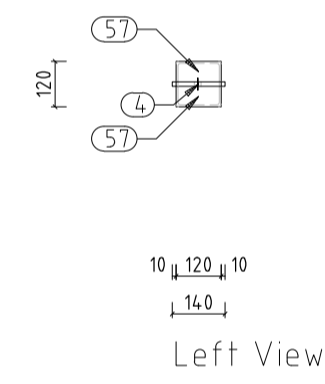
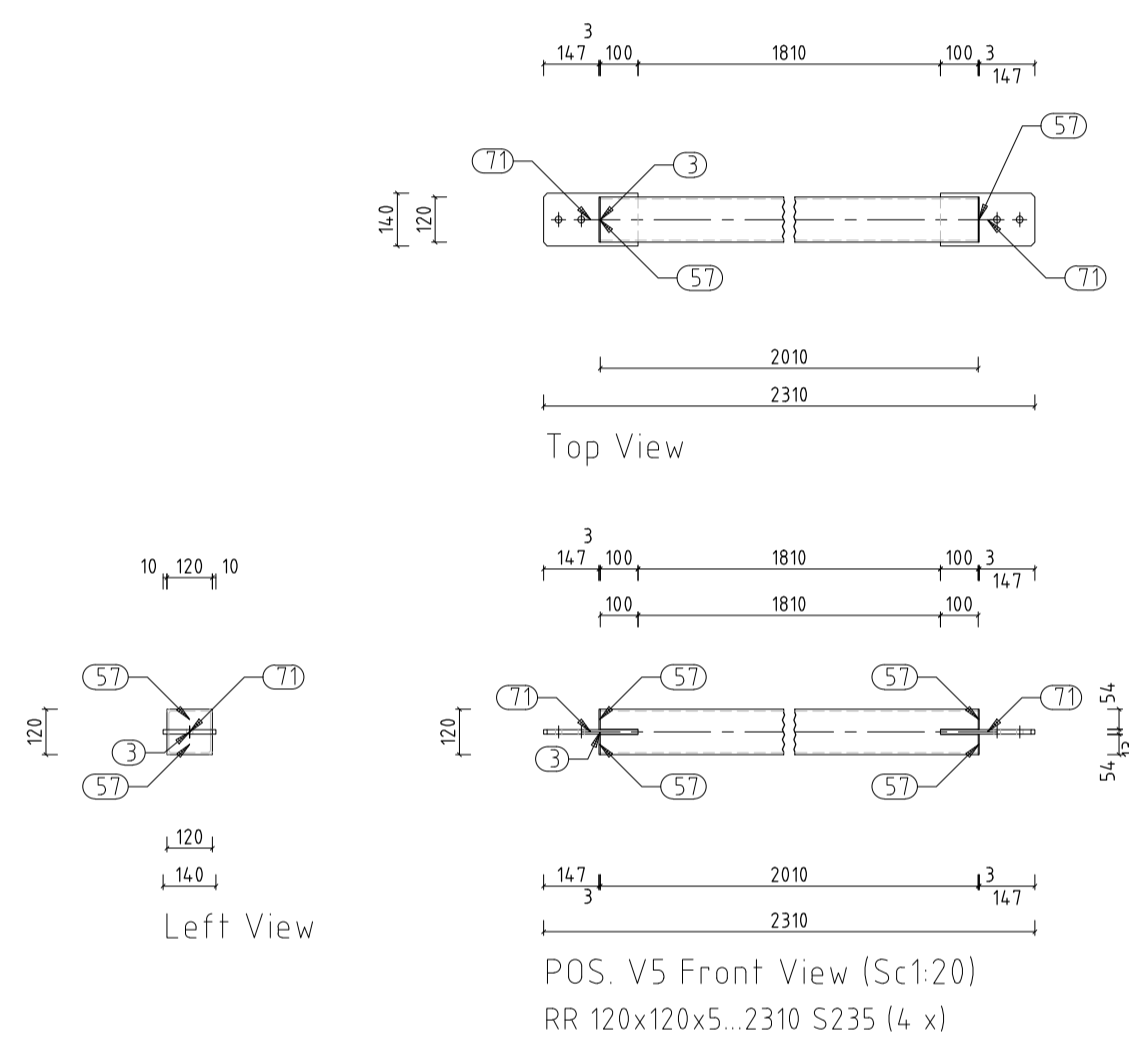
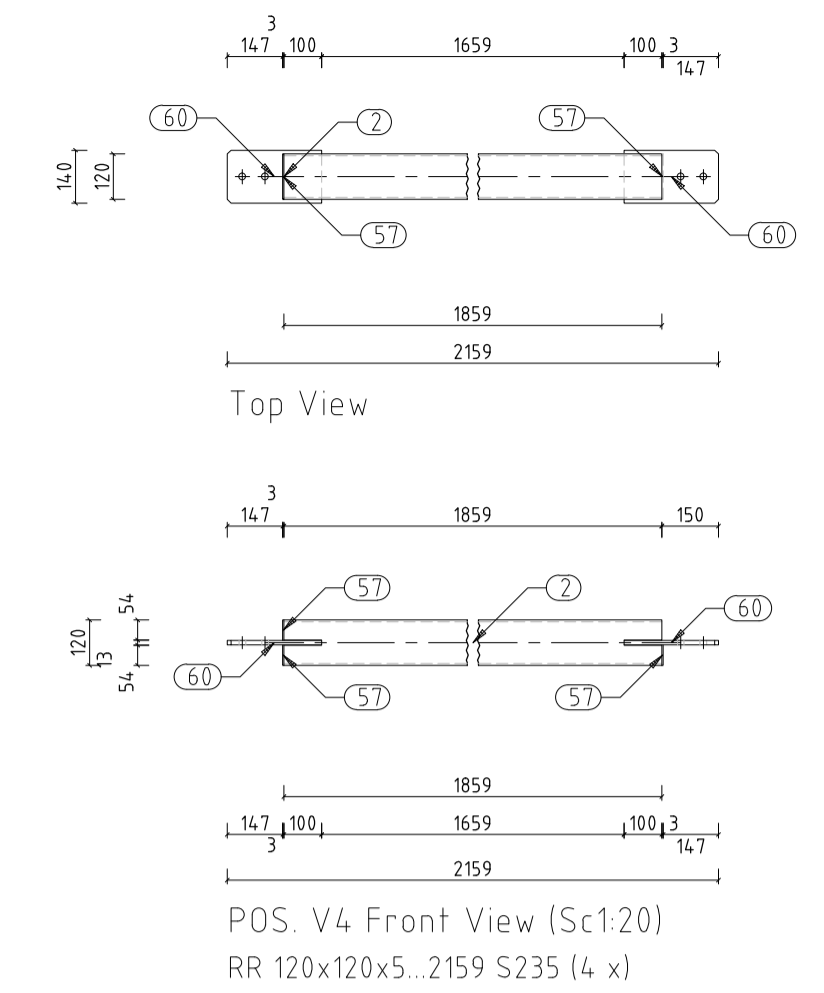
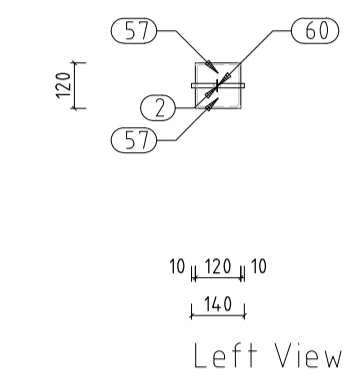
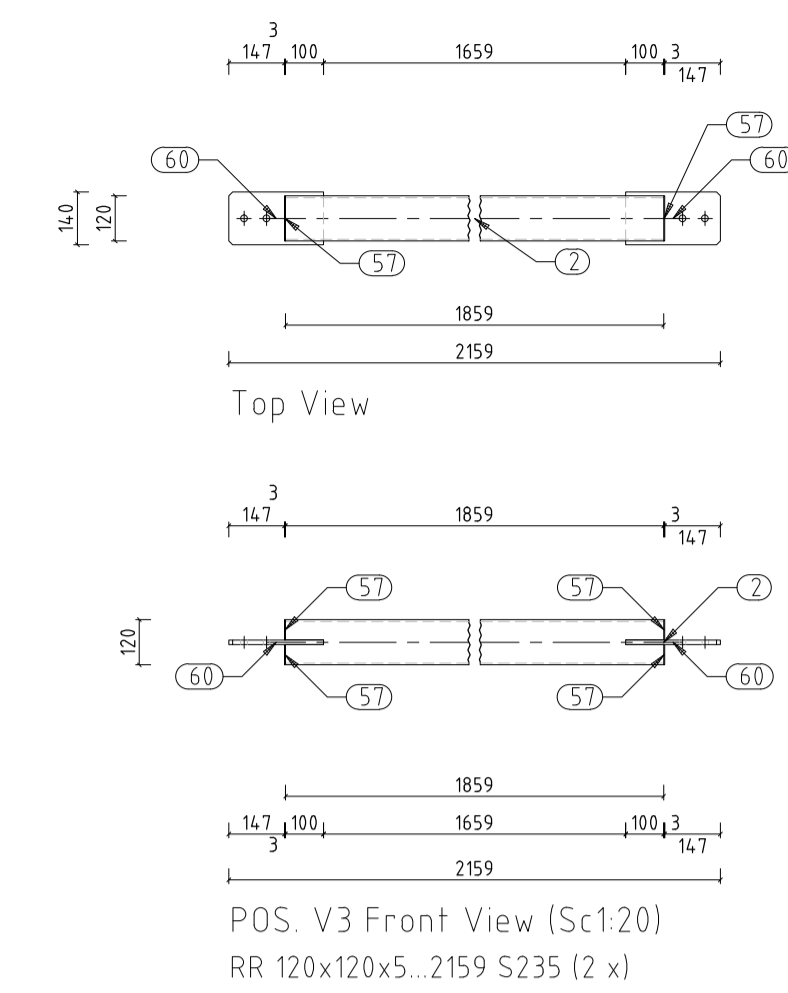
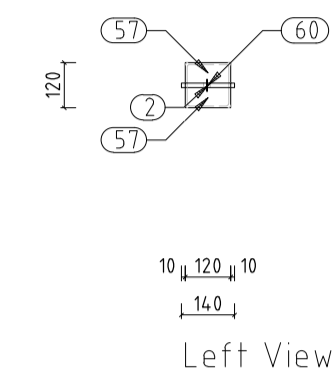
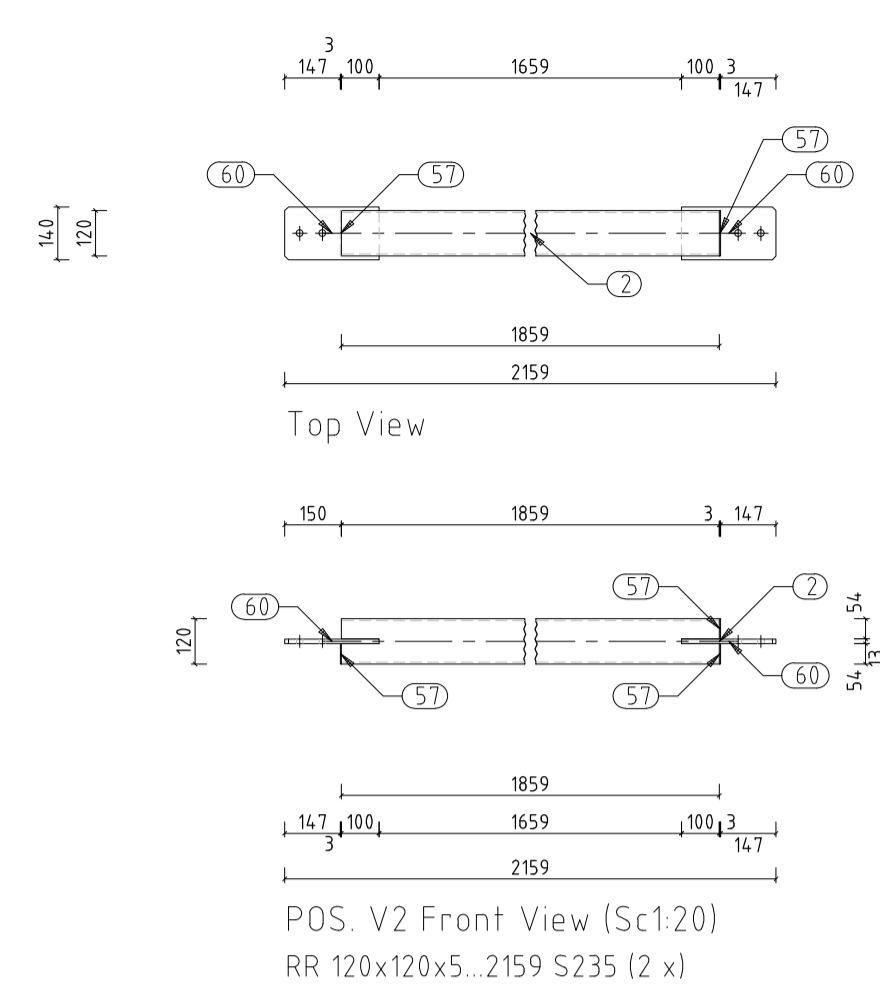
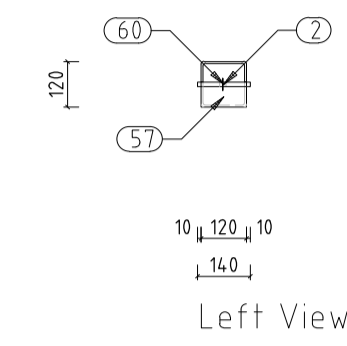
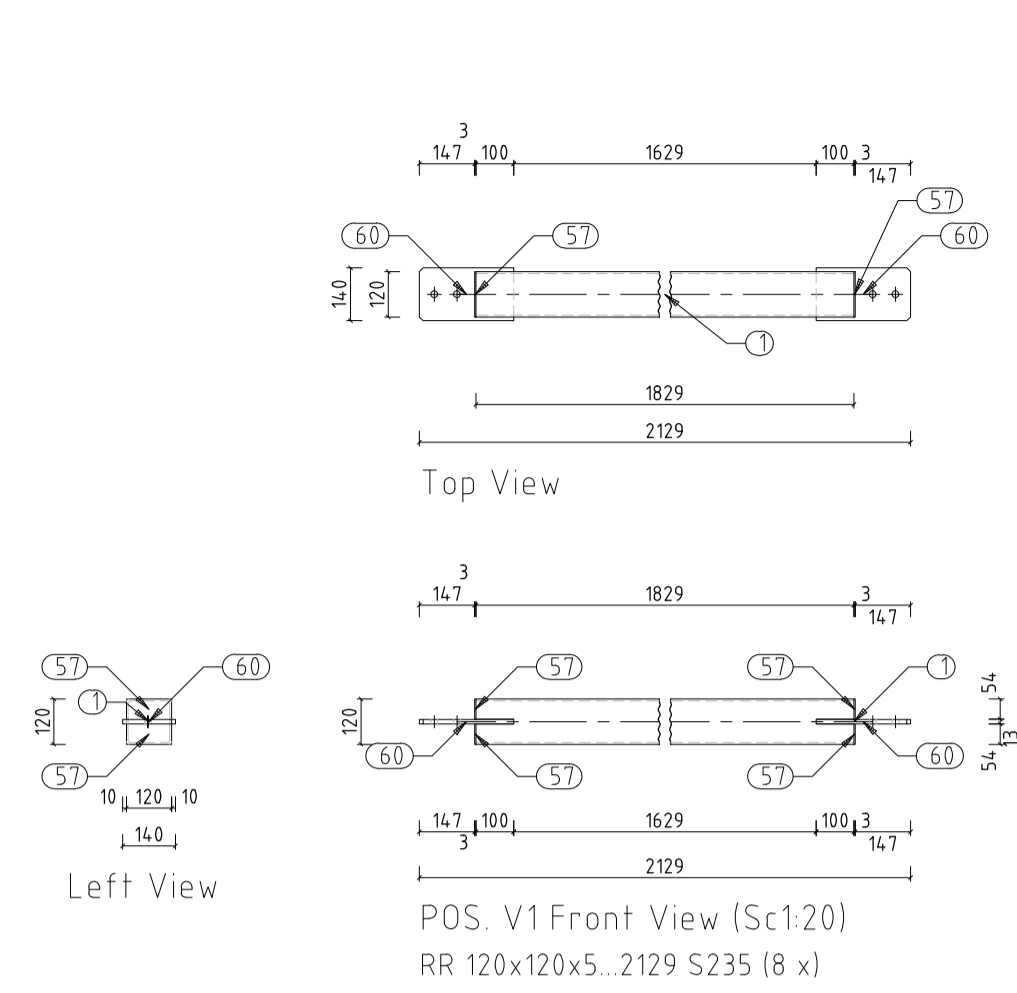


POS. R21 Front View (Sc1:20)  
RR 120x100x5..11880 S235 (1 x)

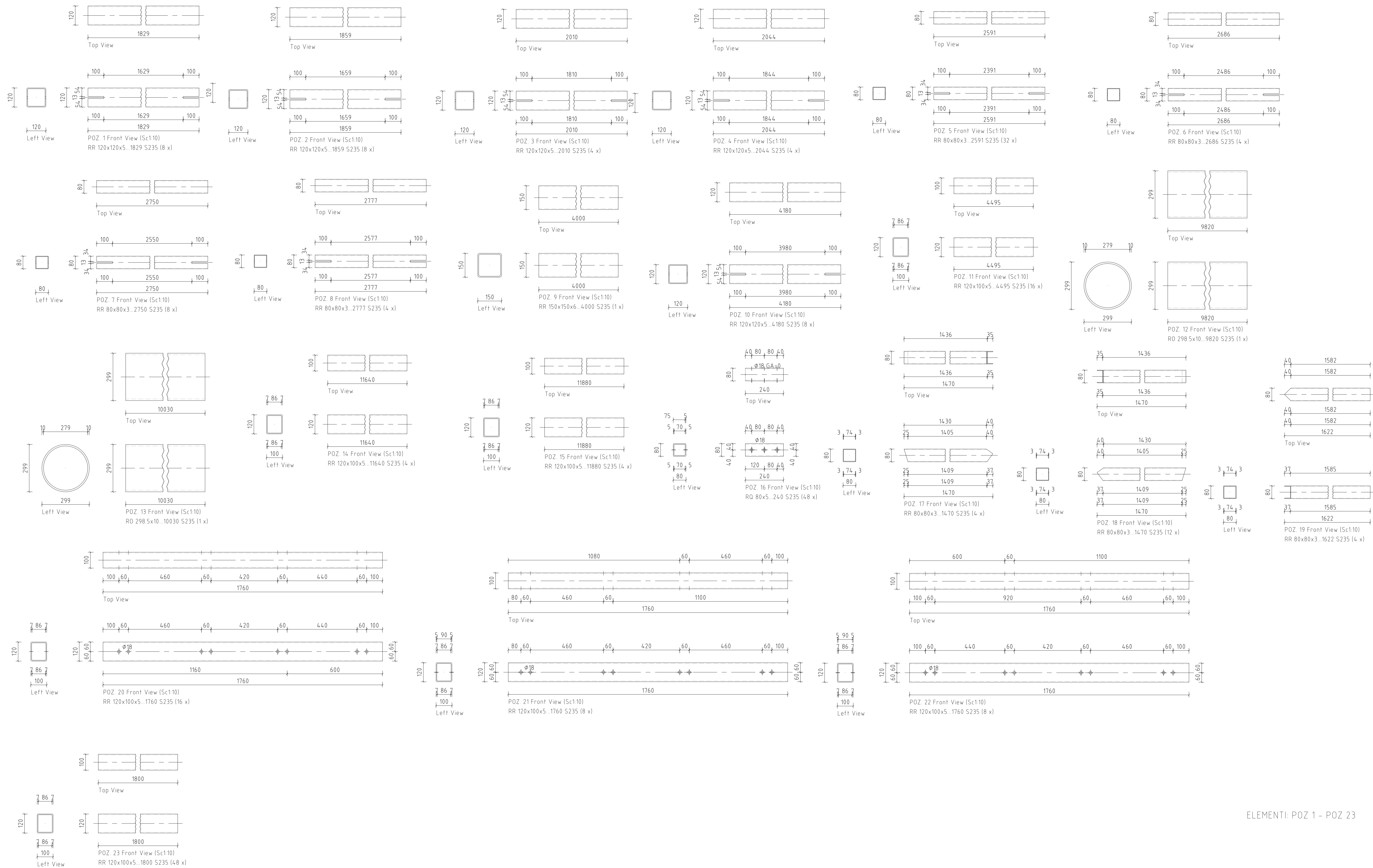


Right View

VAROVI AKO NISU POSEBNO NAZNAČENI	
kutni varovi - $\alpha \geq 71^\circ$ min	
varovi sa obradom - sušeni varovi	
varovi sa obradom - kutni varovi $\alpha \geq 5$	



VAROVI AKO NISU POSEBNO NAZNAČENI	
kutni varovi - a=0.71 min	
varovi sa obradom - sušeni varovi	
varovi sa obradom - kutni varovi a=5	



ELEMENTI: POZ 1 - POZ 23

**SPECIFIKACIJA MATERIJALA****POPIS SKLOPOVA**

<b>Position</b>	<b>Count</b>	<b>Name</b>	<b>Length</b>	<b>Weight</b>	<b>Tot. Weight</b>
<b>Pozicija</b>	<b>Komada</b>	<b>Naziv</b>	<b>Duljina</b>	<b>Težina</b>	<b>Uk. težina</b>
	<b>kom.</b>		<b>mm</b>	<b>kg</b>	<b>kg</b>
R1	2	RR 120x100x5	4495,0	300,2	600,4
R3	2	RR 120x100x5	4495,0	263,9	527,8
R4	1	RR 120x100x5	4495,0	259,0	259,0
R5	1	RR 120x100x5	4495,0	295,4	295,4
R6	1	RR 120x100x5	4495,0	259,3	259,3
R7	1	RR 120x100x5	4495,0	295,6	295,6
R8	2	RR 120x100x5	4495,0	266,2	532,4
R9	2	RR 120x100x5	4495,0	302,6	605,1
R10	1	RR 120x100x5	4495,0	295,4	295,4
R11	1	RR 120x100x5	4495,0	259,0	259,0
R12	1	RR 120x100x5	4495,0	295,6	295,6
R13	1	RR 120x100x5	4495,0	259,3	259,3
R14	1	RR 120x100x5	11880,0	666,9	666,9
R15	1	RR 120x100x5	11880,0	666,9	666,9
R16	1	RR 120x100x5	11880,0	666,9	666,9
R17	1	RR 120x100x5	11880,0	666,9	666,9
R18	1	RR 120x100x5	11880,0	691,2	691,2
R19	1	RR 120x100x5	11880,0	688,8	688,8
R20	1	RR 120x100x5	11880,0	685,4	685,4
R21	1	RR 120x100x5	11880,0	688,8	688,8
S1	1	RR 150x150x6	4030,0	1962,5	1962,5
S2	1	RO 298.5x10	9874,9	4746,5	4746,5
S3	1	RO 298.5x10	10100,1	5561,0	5561,0
V1	8	RR 120x120x5	2128,8	39,0	312,4
V2	2	RR 120x120x5	2159,1	39,4	78,8
V3	2	RR 120x120x5	2159,1	39,6	79,1
V4	4	RR 120x120x5	2159,1	39,4	157,7
V5	4	RR 120x120x5	2310,0	42,2	168,8
V6	4	RR 120x120x5	2344,0	42,8	171,2
V7	32	RR 80x80x3	2890,6	23,2	740,9
V8	4	RR 80x80x3	2985,7	23,8	95,3
V9	8	RR 80x80x3	3050,0	24,3	194,2
V10	4	RR 80x80x3	3077,2	24,5	97,9
V11	8	RR 120x120x5	4480,0	97,2	777,5



## SPECIFIKACIJA MATERIJALA

### ELEMENTI

Position Pozicija	Count Količina kom	Name Naziv	Material Materijal	Length Duljina mm	Tot. length Uk. duljina mm	Weight Težina kg	Tot. weight Uk. težina kg
1	8	RR 120x120x5	S235	1828,8	14630,7	31,8	254,8
2	8	RR 120x120x5	S235	1859,1	14873,1	32,4	259,0
3	4	RR 120x120x5	S235	2010,0	8040,0	35,0	140,0
4	4	RR 120x120x5	S235	2044,0	8176,1	35,6	142,4
5	32	RR 80x80x3	S235	2590,6	82900,5	18,2	582,3
6	4	RR 80x80x3	S235	2685,7	10742,8	18,9	75,5
7	8	RR 80x80x3	S235	2750,0	22000,3	19,3	154,5
8	4	RR 80x80x3	S235	2777,2	11108,7	19,5	78,0
9	1	RR 150x150x6	S235	4000,0	4000,0	104,8	104,8
10	8	RR 120x120x5	S235	4180,0	33440,0	72,8	582,3
11	16	RR 120x100x5	S235	4495,0	76415,0	71,2	1139,2
12	1	RO 298.5x10	S235	9819,9	9819,9	700,0	700,0
13	1	RO 298.5x10	S235	10030,1	10030,1	715,0	715,0
14	4	RR 120x100x5	S235	11640,0	46560,0	184,4	737,6
15	4	RR 120x100x5	S235	11880,0	47520,0	188,2	752,8
16	48	RQ 80x5	S235	240,0	11520,0	2,7	130,2
17	4	RR 80x80x3	S235	1470,4	5881,5	10,3	41,3
18	12	RR 80x80x3	S235	1470,4	17644,6	10,3	123,9
19	4	RR 80x80x3	S235	1621,7	6486,8	11,4	45,6
20	16	RR 120x100x5	S235	1760,0	29920,0	27,9	446,4
21	8	RR 120x100x5	S235	1760,0	14080,0	27,9	223,0
22	8	RR 120x100x5	S235	1760,0	15840,0	27,9	223,2
23	48	RR 120x100x5	S235	1800,0	86400,0	28,5	1368,7
24	24	RO 130x6.3	S235	2232,6	53581,7	43,0	1031,8
25	1	RO 130x6.3	S235	2232,6	2232,6	43,0	43,0
26	2	RO 130x6.3	S235	2232,6	4465,1	43,0	86,0
27	1	RO 130x6.3	S235	2232,6	2232,6	43,0	43,0
28	4	RR 120x120x5	S235	2350,0	7050,0	40,9	163,6
29	8	RR 150x150x6	S235	2350,0	18800,0	61,6	492,7
30	16	RR 100x100x5	S235	2706,8	46014,9	38,6	617,6
31	17	RR 100x100x5	S235	2721,8	46270,2	38,8	659,6
32	7	RR 80x80x3	S235	2792,2	19545,2	19,6	137,3
33	1	RR 80x80x3	S235	2792,2	2792,2	19,6	19,6
34	1	RR 80x80x3	S235	2815,4	2815,4	19,8	19,8
35	7	RR 80x80x3	S235	2815,4	19707,9	19,8	138,4
36	8	RR 80x80x3	S235	2854,1	22832,8	20,0	160,4
37	8	RR 80x80x3	S235	2861,9	22895,2	20,1	160,8
38	8	RR 120x120x5	S235	2946,5	17678,8	51,3	410,4
39	8	RR 80x80x3	S235	2999,9	23999,5	21,1	168,6
40	3	RO 130x6.3	S235	3187,7	9563,1	61,4	184,1
41	1	RO 130x6.3	S235	3187,8	3187,8	61,4	61,4
42	4	RO 130x6.3	S235	3215,4	12861,5	61,9	247,7

## SPECIFIKACIJA MATERIJALA

### ELEMENTI PO SKLOPOVIMA

Position Pozicija	Count Količina kom.	Name Naziv	Material Materijal	Length Duljina mm	Weight Težina kg	Tot. weight Uk. težina kg
<b>R1</b>	<b>2</b>	<b>RR 120x100x5</b>		<b>4495,0</b>	<b>300,2</b>	<b>600,4</b>
11	1	RR 120x100x5	S235	4495,0	71,2	71,2
20	1	RR 120x100x5	S235	1760,0	27,9	27,9
22	1	RR 120x100x5	S235	1760,0	27,9	27,9
30	1	RR 100x100x5	S235	2706,8	38,6	38,6
31	1	RR 100x100x5	S235	2721,8	38,8	38,8
51	1	RR 120x100x3	S235	4495,0	44,3	44,3
61	10	PLATE 15x140	S235	220,0	3,6	36,3
65	2	PLATE 12x160	S235	160,0	2,4	4,8
68	2	PLATE 12x179.5	S235	245,8	2,6	5,2
73	2	PLATE 12x176.5	S235	254,3	2,6	5,1
<b>R3</b>	<b>2</b>	<b>RR 120x100x5</b>		<b>4495,0</b>	<b>263,9</b>	<b>527,8</b>
11	1	RR 120x100x5	S235	4495,0	71,2	71,2
20	1	RR 120x100x5	S235	1760,0	27,9	27,9
21	1	RR 120x100x5	S235	1760,0	27,9	27,9
30	1	RR 100x100x5	S235	2706,8	38,6	38,6
31	1	RR 100x100x5	S235	2721,8	38,8	38,8
50	1	RR 120x100x3	S235	4495,0	44,3	44,3
65	2	PLATE 12x160	S235	160,0	2,4	4,8
68	2	PLATE 12x179.5	S235	245,8	2,6	5,2
73	2	PLATE 12x176.5	S235	254,3	2,6	5,1
<b>R4</b>	<b>1</b>	<b>RR 120x100x5</b>		<b>4495,0</b>	<b>259,0</b>	<b>259,0</b>
11	1	RR 120x100x5	S235	4495,0	71,2	71,2
20	1	RR 120x100x5	S235	1760,0	27,9	27,9
21	1	RR 120x100x5	S235	1760,0	27,9	27,9
30	1	RR 100x100x5	S235	2706,8	38,6	38,6
31	1	RR 100x100x5	S235	2721,8	38,8	38,8
50	1	RR 120x100x3	S235	4495,0	44,3	44,3
64	1	PLATE 12x147	S235	160,0	2,2	2,2
78	1	PLATE 12x191.5	S235	491,0	8,1	8,1
<b>R5</b>	<b>1</b>	<b>RR 120x100x5</b>		<b>4495,0</b>	<b>295,4</b>	<b>295,4</b>
11	1	RR 120x100x5	S235	4495,0	71,2	71,2
20	1	RR 120x100x5	S235	1760,0	27,9	27,9
22	1	RR 120x100x5	S235	1760,0	27,9	27,9
30	1	RR 100x100x5	S235	2706,8	38,6	38,6
31	1	RR 100x100x5	S235	2721,8	38,8	38,8
51	1	RR 120x100x3	S235	4495,0	44,3	44,3
61	10	PLATE 15x140	S235	220,0	3,6	36,3
64	1	PLATE 12x147	S235	160,0	2,2	2,2
78	1	PLATE 12x191.5	S235	491,0	8,1	8,1
<b>R6</b>	<b>1</b>	<b>RR 120x100x5</b>		<b>4495,0</b>	<b>259,3</b>	<b>259,3</b>
11	1	RR 120x100x5	S235	4495,0	71,2	71,2

## SPECIFIKACIJA VIJAKA

Position Pozicija	Count Komada kom	Name Naziv	Material Materijal	Length Duljina mm	Weight Težina kg	Tot. weight Total kg
<b>1</b>	<b>320</b>	<b>BOLT M 16x50 DIN931</b>	<b>8,8</b>	<b>50,0</b>	<b>0,172</b>	<b>54,9</b>
1a	640	WASHER A 17 DIN125	8			
1b	320	NUT M 16 DIN 934	8			
<b>2</b>	<b>16</b>	<b>BOLT M 24x85 DIN931</b>	<b>8,8</b>	<b>85,0</b>	<b>0,599</b>	<b>9,6</b>
2a	32	WASHER A 25 DIN125	8			
2b	16	NUT M 24 DIN 934	8			
<b>3</b>	<b>32</b>	<b>M 20x90 DIN931</b>	<b>8,8</b>	<b>90,0</b>	<b>0,391</b>	<b>12,5</b>
3a	64	WASHER A 21 DIN125	8			
3b	32	NUT M 20 DIN 934	8			
<b>4</b>	<b>352</b>	<b>BOLT M 16x150 DIN931</b>	<b>8,8</b>	<b>150,0</b>	<b>0,340</b>	<b>119,6</b>
4a	704	WASHER A 17 DIN125	8			
4b	352	NUT M 16 DIN 934	8			
<b>5</b>	<b>72</b>	<b>M 16x180 DIN931</b>	<b>8,8</b>	<b>180,0</b>	<b>0,031</b>	<b>2,2</b>
5a	144	WASHER A 17 DIN125	8			
5b	72	NUT M 16 DIN 934	8			
<b>6</b>	<b>86</b>	<b>M 16x220 DIN931</b>	<b>8,8</b>	<b>220,0</b>	<b>0,031</b>	<b>2,6</b>
6a	172	WASHER A 17 DIN125	8			
6b	86	NUT M 16 DIN 934	8			
<b>UKUPNO/TOTAL:</b>						<b>201,5</b>